



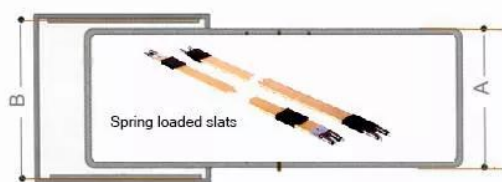
## Slat 3 Fold Sofa Bed Mechanism

LINKREST is one of the outstanding manufacturers and suppliers of slat 3 fold sofa bed mechanism in China. We realize that the sofa bed plays an increasingly important role in the furniture industry. The very comfortable seat of this slat 3 fold sofa bed mechanism is supported by three folding mattresses. You can also use a very thin cushion to obtain very good seat comfort.

### Product Description

LINKREST is one of the famous **Slat 3 Fold Sofa Bed Mechanism** manufacturers and suppliers in China. We regularly offer 8 series Bi-fold sofa sleeper mechanism, 6 series of Tri-fold sofa bed mechanism, 5 one-step or one-action Italian function sofa bed mechanism, 9 version of pull-out pop-up sofa bed mechanisms, 7 models of drawing-out sliding sofa bed mechanisms, four click clacks futon mechanisms, five adjustable sofa bed mechanisms and swivel sofa bed mechanisms. Each mechanism has its own unique sets of features and benefits of elegance, comfort, durability and safety with excellent performance for residential and hospitality use.

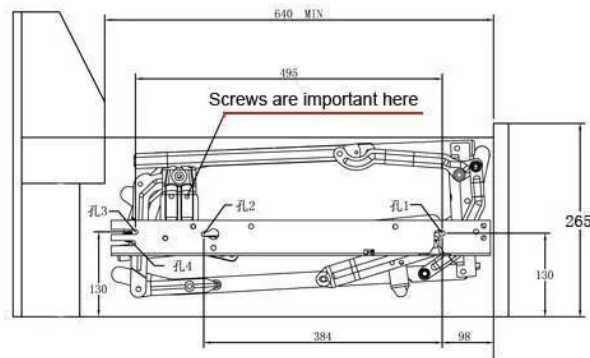
#### Slat 3 Fold Sofa Bed Mechanism Details:



Model	TF32S	TF36S	TF44S	TF48S	TF52S	TF60S	TF64S	TF68S
A (mm)	700	800	1000	1100	1200	1400	1500	1600
B (mm)	820	920	1120	1220	1320	1520	1620	1720
Matt width(mm)	630	730	930	1030	1130	1330	1430	1530
B (inches)	32"	36"	44"	48"	52"	60"	64"	68"

B- is mounting size, USA takes this as mechanism size.

A- is tubular frame size,European and Australia take this as mechanism size.



1. 6cm thickness of foam mattress or 8cm thickness of spring mattress is recommended.
2. Add two slats in the seat will be more comfortable.
3. Add 4 slats will make both sitting and sleeping more comfortable.
4. Whole wood slats are the best.

