

3 Fold Sofa Bed Mechanism



Welcome to buy 3 fold sofa bed mechanism from LINKREST, we will offer you the best after-sale service and timely delivery. This 3 fold sofa bed mechanism is supported by three folded foam mattresses, which are very comfortable. You can use a very thin cushion to obtain seat comfort. It has spiral springs around the deck, which can provide additional sitting position and sleep support, making you very comfortable every night when using the 3 fold sofa bed mechanism.

Product Description

Tri Fold Sofa Bed Mechanisms

LINKREST is one of the professional **3 Fold Sofa Bed Mechanism** manufacturers and suppliers in China. Already for many years in the market worldwide, such as European, North American, Australia, New Zealand, Africa, Asia and Latin American areas. LINKREST is regarded as a reliable partner of the most important sofa bed mechanisms manufacturer. This thanks to the carefully quality control, our passion to focus on innovations, our professional service and the possibility to offer tailor-made solutions.

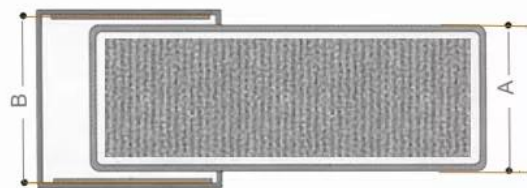
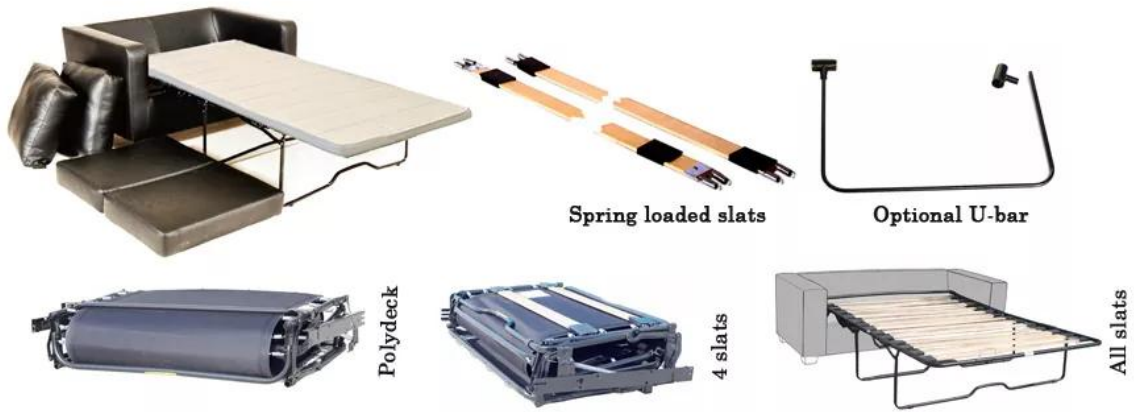
3 Fold Sofa Bed Mechanism Features & Benefits:

1. The deck is surrounded by helical springs for extra support both sitting and sleeping.
2. Extra narrow mounting space from the back to the front board to fit most of styles.
3. No cross bar feeling like Bi-fold, it is really comfortable for every night.
4. Very comfortable seat due to three folded foam mattress support, you can use very thinner seat cushion to get seat comfort.
5. More container loading capacity both mechanism and finished bed to save big unit shipment cost. With or without mattress share the same container loading quantity.
6. Linkrest offer partly assembled mechanism for import customers, it can load about 1000 units per 40HQ, it is very easy to put together (See videos in Technical Support, and quality is the same as fully assembly sofa bed mechanism).
7. Linkrest offer low leg, middle leg and high leg version for this mechanism. The low leg and middle leg versions can make very low seat styles.
8. We offer metal grid version for this model.

9. Option for U-shaped bar for some markets where people like to sit in the end of open bed.

10. Option for UK Fire-proof and air-breath deck.

WARNING: Don't forget 4 wood screws to fix ear brackets of mechanism for mechanism protection in transportation.



如果B的宽度是60",则产品的编号是 TF60 (S/P/K/M)

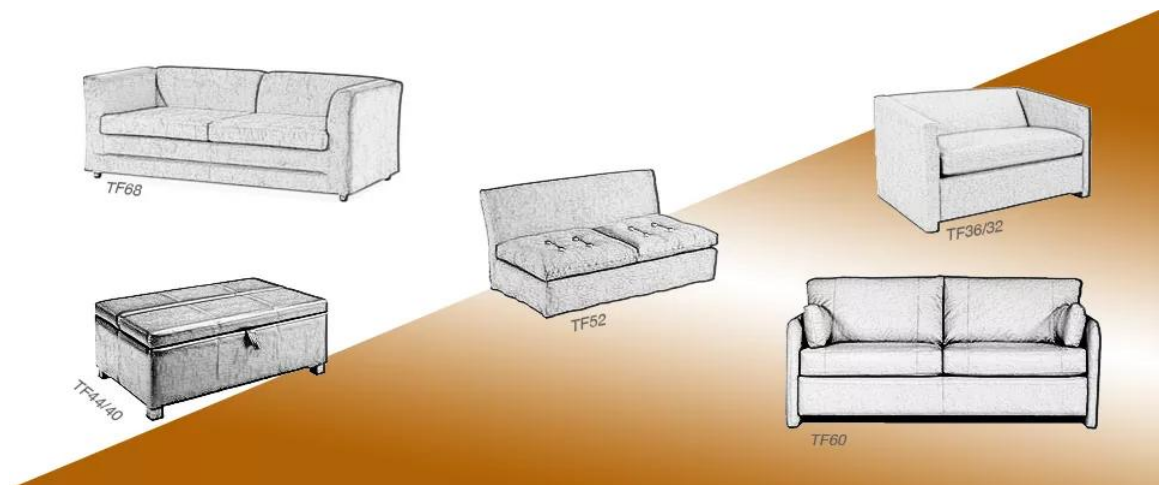
S/P/K/M 的含义如下:

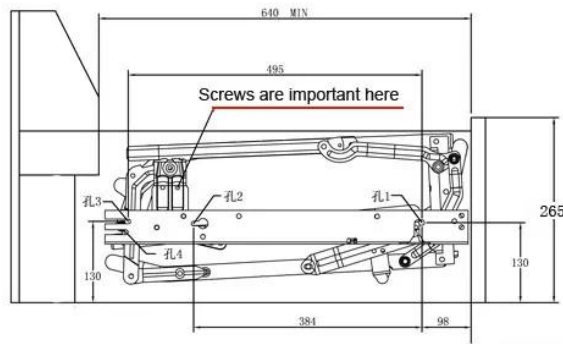
- S- 全木条
- P- 床布配二根木条
- K- 床布配四根木条
- M- 尾部U型支撑管

型号	TF32	TF36	TF44	TF48	TF52	TF60	TF64	TF68
A尺寸(mm)	700	800	1000	1100	1200	1400	1500	1600
B尺寸(mm)	820	920	1120	1220	1320	1520	1620	1720
床垫宽度(mm)	630	730	930	1030	1130	1330	1430	1530
B尺寸(inches)	32"	36"	44"	48"	52"	60"	64"	68"

B- is mounting size, USA takes this as mechanism size.

A- is tubular frame size, European and Australia take this as mechanism size.





1. 6cm thickness of foam mattress or 8cm thickness of spring mattress is recommended.
2. Add two slats in the seat will be more comfortable.
3. Add 4 slats will make both sitting and sleeping more comfortable.
4. Whole wood slats are the best.